

LUXMAN

STEREO POWER AMPLIFIER
M-10X



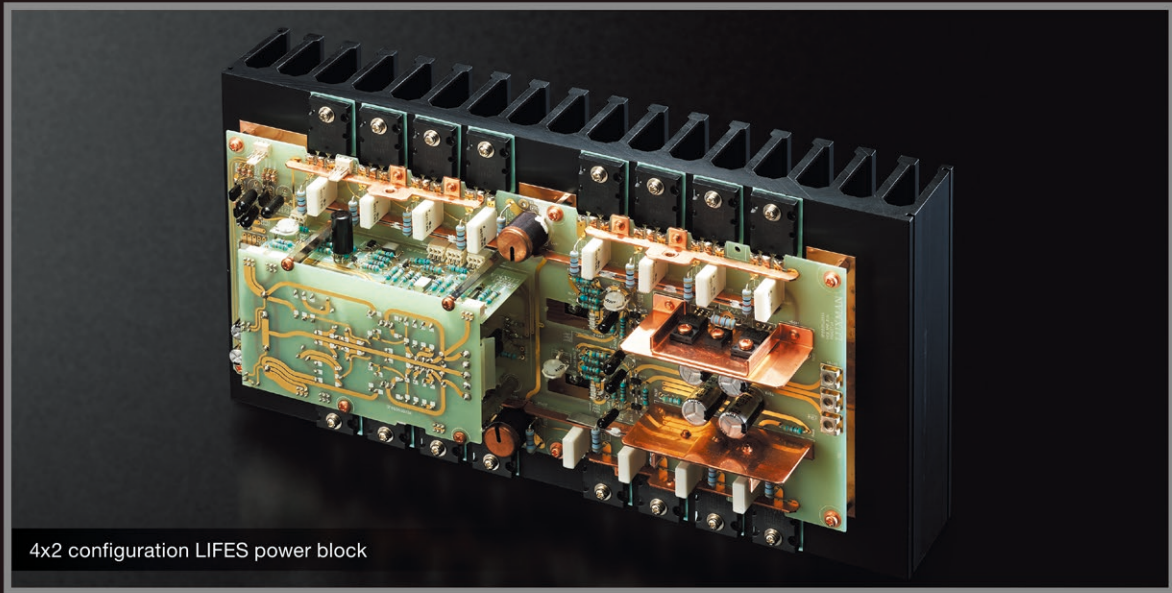
Open your mind and experience the true depth of sound. An industry defining debut for our M-10X flagship amplifier.

Looking ahead to the 100th anniversary of our founding in 2025, we have returned to the fundamentals of music playback and have finally achieved a LUXMAN milestone, while still looking toward the future, we present our new generation flagship stereo power amplifier, the M-10X.

The most important innovation is the realization of our new amplification feedback engine “LIFES”, which has been developed and refined through the skillful attention of LUXMAN’s technical team. While based on our traditional ODNF technology, we implemented a fundamental review of the system and every detail from the layout down to individual components which all contribute to a rich musicality, full of vitality.

High performance drivability enhances playback through any speaker system. A beautiful chassis housing design, with blasted white finish, is proudly complimented with proper analog meters. This exquisite flagship model, the M-10X, can evoke what we mean by the true depth of sound, marking the beginning of a new era for LUXMAN.





4x2 configuration LIFES power block

"New amplified feedback engine"

LIFES

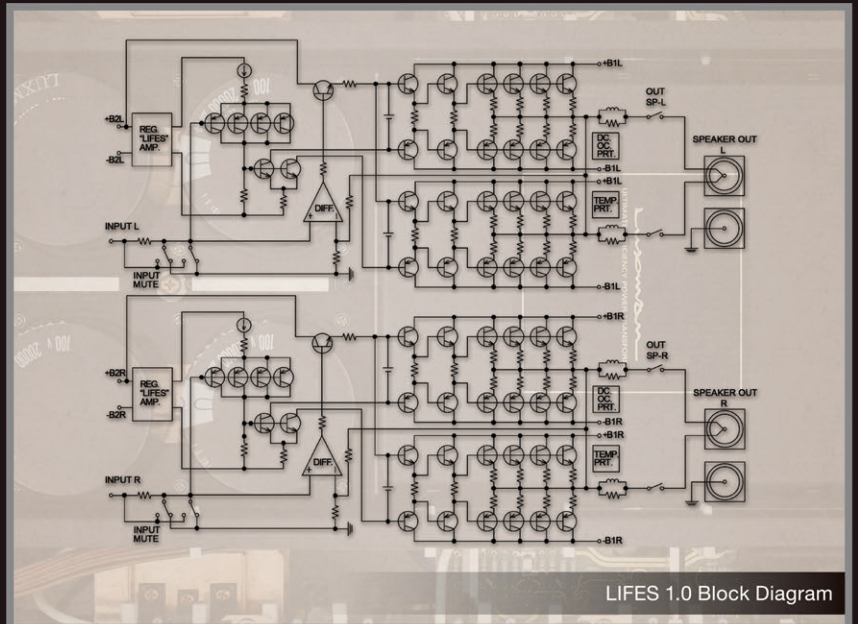
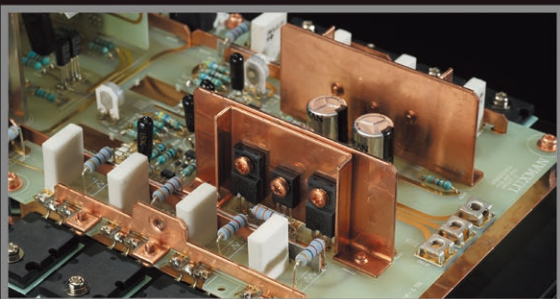
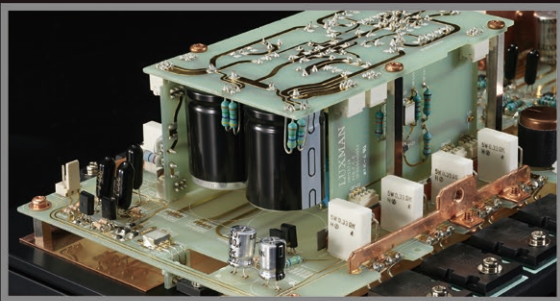
(Luxman Integrated Feedback Engine System)

Amplified feedback engine that brings music to life LIFES Version 1.0

LUXMAN will celebrate our 100th anniversary in 2025 and we are proud to announce the successor to our ODNF* feedback circuitry, which has contributed to the audio quality of our amplifier products since 1999. We have developed a new amplifier feedback circuit, LIFES*, which has acquired realistic, fresh and rich musicality and overwhelming audio performance. LIFES is based on the technical concept of our renowned ODNF circuit and realizes excellent, dynamic characteristics without feeding back any of the original audio input signal to the main amplifier, achieving a remarkably natural sound quality, almost if it were a non-feedback equipped circuit. The design has been conceived and expanded upon from first principles using simulation technology and painstaking research. By repeatedly auditioning, rigorously scrutinizing and combining specially selected components, we have achieved supreme performance characteristics and a level of quality suitable for use in LUXMAN's next-generation products. This is the birth of the epoch-making amplification feedback engine LIFES Version 1.0, which plays a key role in the amplifier products that will appear in the future, starting with the M-10X, and breathes new life into music.

Overwhelming power linearity and an instantaneous maximum power output of 1,200W + 1,200W (1Ω)

The role of the power amplifier is to faithfully amplify the music signal sent from the control amplifier to the output and drive your speakers accurately while fully drawing out the characteristics of those speakers. With "LIFES" installed in the M-10X and by reconstructing the entire circuit, we succeeded in reducing the number of parallel elements while improving performance and reducing distortion during amplification by half. In addition, the redesigned constant voltage circuitry constitutes a highly stable power supply that fully supports the AC and DC power demands. We have adopted a design that can maintain high performance with more stability. The current amplification stage has a 4x2 output configuration that combines two three-stage Darlington circuits and quadruple paralleled push-pull amplifier circuits that handle various load conditions, and instantaneously develops up to 1,200W+1,200W (1Ω) from a rated output of 150W+150W (8Ω). We have achieved complete power linearity up to 1,200W (1Ω). Along with pure class A operation up to 12W with careful bias current setting, it achieves both overwhelming power and sound quality with a sense of density at a high level.



LIFES 1.0 Block Diagram

*ODNF stands for "Only Distortion Negative Feedback".

*LIFES stands for "Luxman Integrated Feedback Engine System".



Large capacity EI type power transformer

Highly regulated transformer

The power supply section supports the overwhelming power and drivability of the M-10X, with flat copper transformer winding wound tightly to conserve space, reducing line capacitance, improving the coupling force and stabilizing the magnetic field. The EI-type highly regulated power transformer has a large capacity of 1,250VA (instantaneous maximum 2,500VA), we have obtained tremendous regulation performance that does not waver with any load fluctuations.

Analog meters that express the dynamics of music

The front panel, which has a simple yet elegant design features prominent needle-movement analog level meters. The LED lighting effectively illuminates both meter scale plates, for improved visibility from listening positions. Meter positioning is optimized so that the operational left channel meter is exactly centered and given priority when used in BTL (monaural) listening mode.



Needle-movement analog level meters



Front panel with slanted sides

Three-dimensional housing design with more pronounced presence

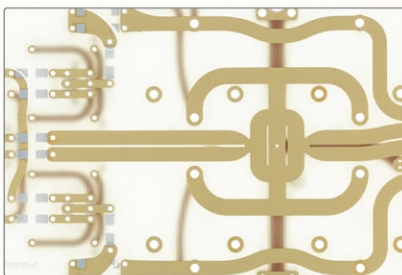
The M-10X has an authentic front face inherited from our M-900u model and expresses bold and delicate slanted edges between the chassis and the front panel.



Large capacity filter capacitors

100µm thick non-angled circuit board tracing

All audio circuit boards in the M-10X have 100µm thick, low resistance, gold plated, peel coat tracing that eliminates dielectric effects. In addition, we thoroughly implement a design policy that prioritizes sound quality in every respect, such as non-angled circuit board tracing that keeps the pattern width of the signal line constant and draws a smooth curve to realize smooth and stress-free signal transmission.



Non-angled signal circuit pattern without resistive film



Custom made, high-quality components

Traditional highly stable power supply configuration

Equipped with newly developed L&R independent 20,000µF x 4 filter capacitors, LUXMAN's traditional highly stable power supply configuration combines a large capacity filter capacitors and a generously sized power transformer. The M-10X's powerful load tracking performance is supported by low-impedance signal transmission, low resistance, large-capacity speaker relays with 4 contacts connected in parallel and a direct connection to the bus bar for the speaker terminals.

Original custom components

Every component in the circuitry is an important factor that affects the audio performance and musicality of this product. In the M-10X, we thoroughly listened, testing the audio performance of various capacitors and resistors, as well as wiring materials and terminals, and introduced a large number of original custom components that were carefully selected via advanced technology and sensibility.



Density gradient cast iron insulator feet

Anti-vibration and loop-less chassis structure

The base, which supports the main body, weighing over 48kg, is equipped with large density gradient cast iron feet that protect delicate music signals from unnecessary vibration by quickly releasing the vibration generated inside, while blocking external vibration. In addition, the metal housing uses a loop-less chassis structure that will not generate a ground loop and isolates the effects of generated magnetic fields and the rise in ground impedance due to chassis current.

Sound quality-oriented RCA terminals and AC inlet

The inputs on the rear panel of the unit are equipped with high-performance RCA terminals made from a copper alloy which has the same conductivity as copper and the hardness of brass. The AC inlet's structure has been improved to support the weight of heavy cables and, by reversing the mounting orientation from conventional mounting, it suppresses the movement of the power cable and maintains a stable grip.



Copper alloy RCA terminals

STEREO POWER AMPLIFIER

M-10X

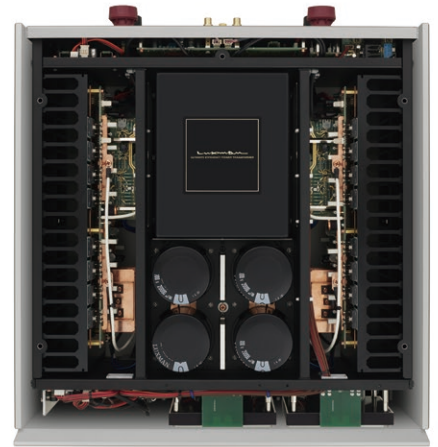
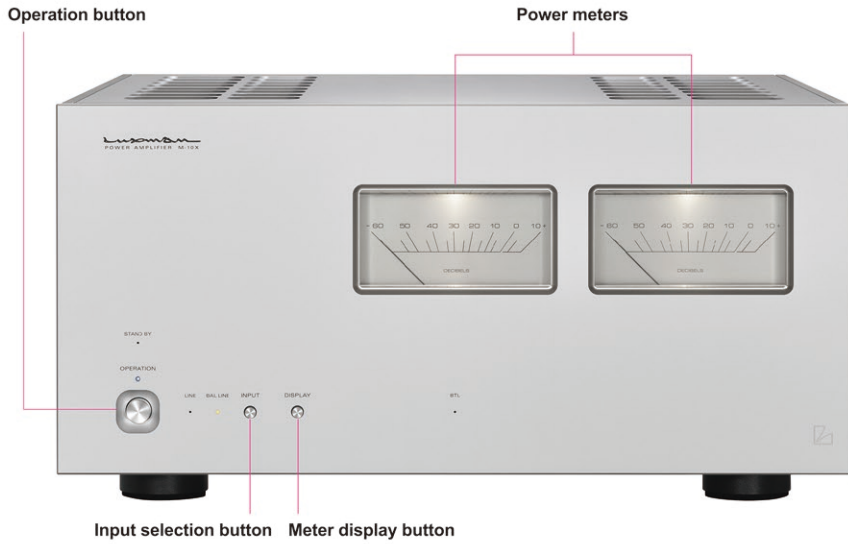


STEREO POWER AMPLIFIER
M-10X

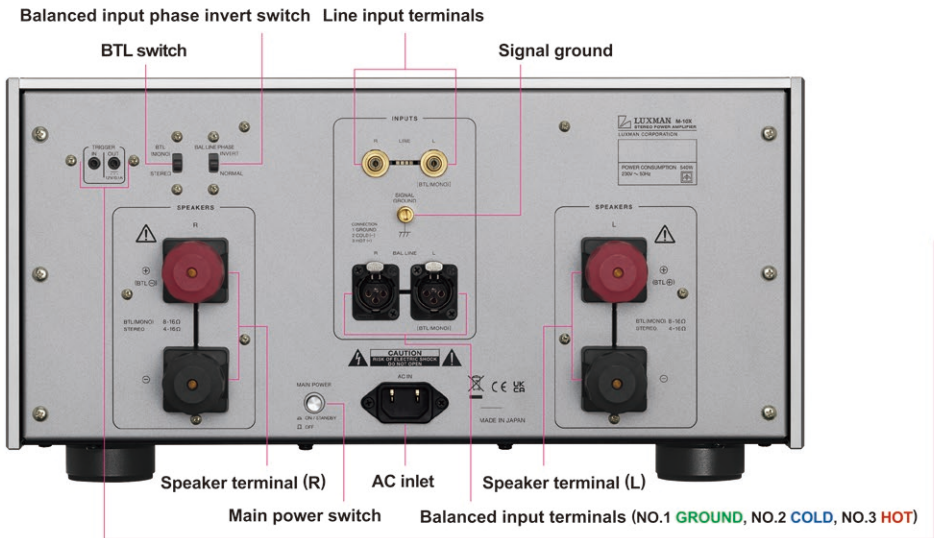


Meter display in BTL (monaural) mode

M-10X STEREO POWER AMPLIFIER



Internal configuration

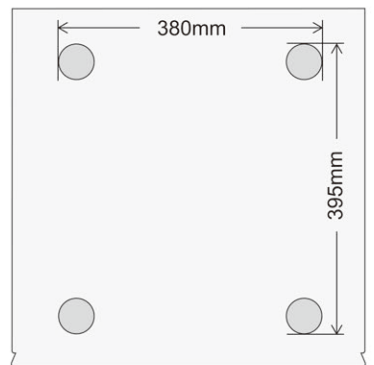


12 Volt trigger input / output terminal
Powering on and off compatible devices can be achieved via connections over a commercially available 3.5mm monoaural mini jack cable.

*Rear panel : European Model

SPECIFICATIONS

Rated output	150W + 150W (8Ω)/at stereo 300W + 300W (4Ω)/at stereo 600W (8Ω)/at monoaural	Power consumption	540W 290W (under no signal) 1.0W (at standby)
Instantaneous max. output	1,200W + 1,200W (1Ω)/at stereo 2,400W (2Ω)/at monoaural	External dimensions	440(W) x 224(H) x 488(D) mm front side knob of 2mm and rear side terminal of 38 mm included in depth
Input sensitivity	1.24V/150W (8Ω) GAIN 29.0dB	Net weight	48.4kg
Input impedance	Unbalanced 51kΩ Balanced 28kΩ	Accessories	Trigger cable (Modular/3.5mm Monoaural) Power cable
Frequency response	20Hz to 20kHz (+0, -0.1dB) 1Hz to 130kHz (+0, -3.0dB)	Speaker terminal	Width of part a: 14mm or less Supported Y-lug terminal dimension
Total harmonic distortion	0.003% or less (1kHz/8Ω) 0.04% or less (20Hz to 20kHz/8Ω)		
S/N ratio (IHF-A)	117dB		
Amplification circuit	LIFES 1.0		
Output configuration	3 stage Darlington 4 paralleled push-pull		
Damping factor	600		



* Slide the phase selector switch to the INVERT position to make the balanced input terminals pin No 2 to change to **HOT**, and No. 3 to **COLD**.

* Specifications and appearance are subject to change without notice. * The products listed in this catalog do not include line cables. Please purchase cables separately.

LUXMAN

LUXMAN CORPORATION, 1-3-1 Shinyokohama, Kouhoku-ku, Yokohama-shi, Kanagawa 222-0033, Japan
Tel: +81-45-470-6980 Fax: +81-45-470-6997 www.luxman.com

LUXMAN reserves the right to alter the design and specifications without notice.
All rights reserved LUXMAN CORPORATION



⚠ Safety Cautions

To ensure correct use of this product, read the "Owner's Manual" prior to use. Failure to follow all safeguards can result in fire, electric shock, or other accidents.